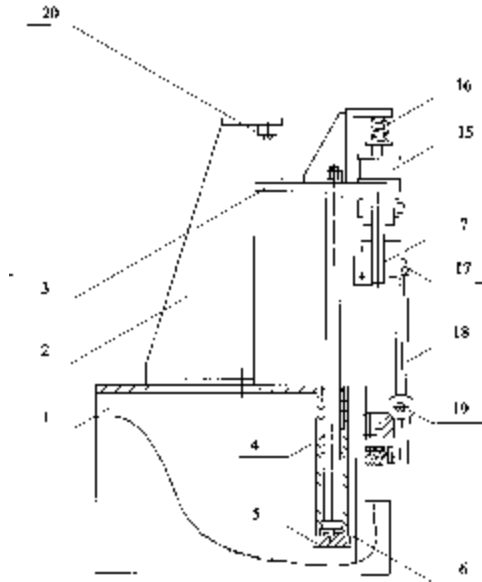


The invention relates to the shoe industry.

The device for footwear removal from the last includes a frame 1 with support 2, onto which it is mounted with the possibility of vertical displacement a cantilever 3. Onto the cantilever 3 it is fixed a tie-rod 4 with piston 5, placed into a cylinder 6, fixed into the frame 1. Onto the cantilever 3 it is also fixed a gripping mechanism 7, including removable jaws 8 and 9, installed onto axles 10 and 11, correspondingly, with the possibility of rotating about them. The jaws are provided with toothed quadrants 13 and 14, engaging into mesh with the toothed batten 12, placed between them. Opening and closing of jaws is carried out by an electromagnet 15 and a spring 16, placed above the cantilever 3.



Claims: 1

Fig.: 3